

The PRO-GHC is designed for use on all rolling doors and grilles and large sectional doors with high or vertical lift track.

Date: _____
 Page: ____ of _____
 Drawing No. _____
 Project: _____
 Architect/Engineer: _____
 Contractor: _____
 Customer: _____



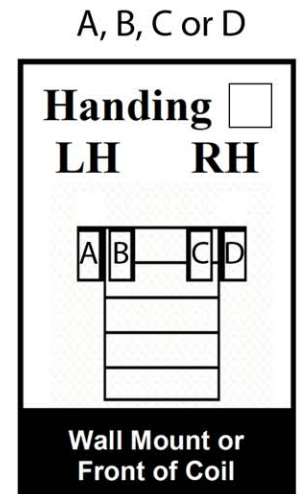
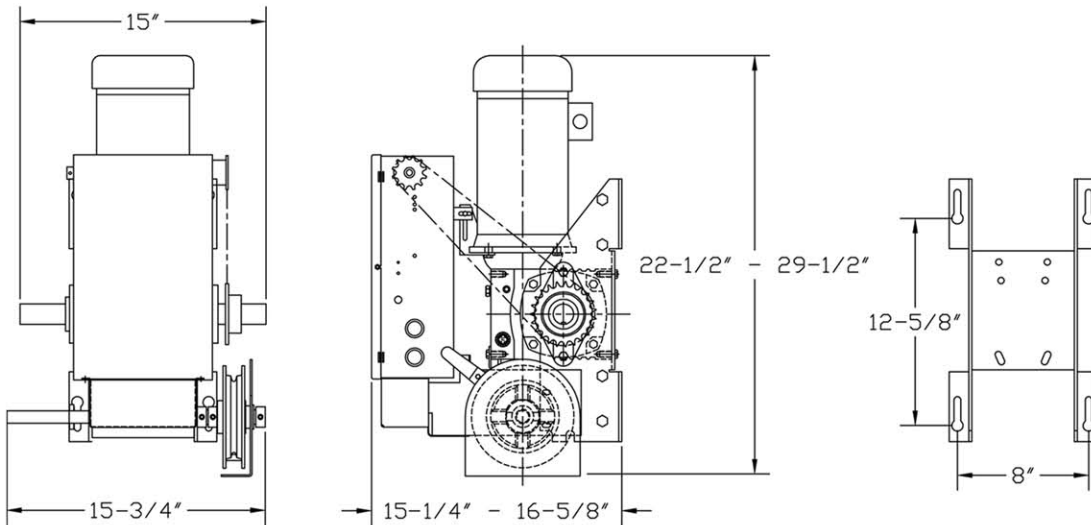
FULL LOAD AMP RATING CHART

| Voltage | 1/2HP | 3/4HP | 1HP | 1.5HP | 2HP | 3HP |
|------------------------------|-------|-------|------|-------|-----|-----|
| 115 V - 1 ϕ - 60 Hz | 9.0 | 11.2 | 14.6 | 15.8 | | |
| 230 V - 1 ϕ - 60 Hz | 4.3 | 5.6 | 6.9 | 7.8 | | |
| 230 V - 1 ϕ - 50 Hz | 5.5 | 6.7 | 7.6 | 10.0 | | |
| 208/230 V - 3 ϕ - 60 Hz | 1.9 | 2.8 | 3.6 | 5.0 | 6.2 | 8.2 |
| 380 V - 3 ϕ - 50 Hz | 1.2 | 1.7 | 2.2 | 2.7 | 3.2 | |
| 460 V - 3 ϕ - 60 Hz | 1.0 | 1.4 | 1.8 | 2.5 | 3.0 | 4.1 |
| 575 V - 3 ϕ - 60 Hz | 0.8 | 1.1 | 1.4 | 1.8 | 2.5 | 3.3 |

Number of Operators: _____
 Horsepower: _____
 Volts: _____
 Phase: _____
 Hertz: _____
 Type of Door: _____
 Door Width/Height: ___ W x ___ H
 Operator Nema Rating: _____
 OPEN/CLOSE/STOP Control Stations: ___

Control wiring options: _____

- A** Relay Logic w/ interface module (monitored reversing device supplied)
- B** Smart 10.0 logic board (monitored reversing device supplied)
- C** Relay logic (*not available in US or other areas where UL 325 2010 is mandated*)



Additional Equipment or Options

For technical support, please call 1-877-888-1116