

MECHANICAL EDGE-OF-DOCK LEVELER

**MDC SERIES**

# INSTALLATION & OWNER'S MANUAL



**! WARNING**

**DO NOT INSTALL, OPERATE OR SERVICE THIS PRODUCT UNLESS YOU HAVE READ AND FULLY UNDERSTOOD THE ENTIRE CONTENTS OF THIS MANUAL. FAILURE TO DO SO MAY RESULT IN PROPERTY DAMAGE, BODILY INJURY OR DEATH.**



# TABLE OF CONTENTS

|                                 |       |
|---------------------------------|-------|
| Table of Contents .....         | 3     |
| Check Shipment Notice .....     | 3     |
| Owner's Record of Purchase..... | 3     |
| Safety.....                     | 4-5   |
| Installation Instructions ..... | 7-8   |
| Operating Instructions.....     | 9-10  |
| Maintenance .....               | 11-12 |
| Trouble Shooting.....           | 13    |
| Replacement Parts .....         | 14-15 |
| Warranty .....                  | 18-19 |

## CHECK SHIPMENT BEFORE INSTALLATION

The leveler has been carefully checked at the manufacturer's plant before shipment. In order to ensure that no damage has occurred during transport, the leveler should be checked upon receipt for transport damage and to ensure correct operation. Damage due to transport is to be listed on the signed copy on the freight document. The freight forwarder must be notified of any damage within 48 hours. Damaged levelers must not be put into use.

| <b>OWNER'S PURCHASE RECORD</b> |                              |
|--------------------------------|------------------------------|
| <b>Dealer:</b>                 | <b>Date in Service:</b>      |
| <b>Owner:</b>                  | <b>Number of Units:</b>      |
| <b>Order Number:</b>           | <b>Year of Construction:</b> |
| <b>Serial Numbers:</b>         |                              |
|                                |                              |
|                                |                              |

Blue Giant offers a full line of dock levelers, dock safety equipment, accessories, ergonomic and scissor lift equipment, and industrial trucks. Concurrent with our continuing product improvement program, specifications are subject to change without notice. Some features illustrated may be optional in certain market areas. Visit [www.BlueGiant.com](http://www.BlueGiant.com) for latest product information.

# SAFETY PROCEDURES

## INTRODUCTION

The following is intended to be a quick reference to some of the important procedures to follow while using the MD-CM Series Edge-Of-Dock Leveler. It is not intended to cover, or suggest that it does cover, all procedures required to be followed to ensure safe operation. Operators should be aware of and abide by all workplace safety regulations that may apply to the operation of the MD-CM Series Edge-Of-Dock Leveler. These laws and regulations include but are not limited to:

- Occupational Safety and Health Act (USA).
- Occupational Safety and Health Acts for Individual States (USA).
- Canadian Material Handling Regulations.

For further information on these regulations and / or industry standards that may apply to this equipment, please contact:

American National Standards Institute (ANSI)  
1430 Broadway  
New York, NY 10018  
(212) 642-4900

## WARNING

1. Do not install this leveler, operate and/or service unless you have been trained and authorized to do so.
2. Do not install, operate and/or service this leveler until you have read and understood all of the safety information and instructions contained herein and on the leveler.
3. Do not operate this leveler until you have checked its condition. Report the need for leveler repairs to your supervisor immediately and do not operate leveler until repairs are made. Neglect may cause a minor repair to become a major service problem and cause the leveler to become unsafe.
4. Do not work under or around leveler being installed without first placing adequate barriers to positively prevent vehicle traffic from entering the work area.
5. All electrical wiring, hook-up, repair and troubleshooting must be performed by qualified service personnel. All wiring, hook-up and repairs must be made to meet all applicable codes. Before doing any electrical work, make certain the power is disconnected and properly tagged and / or locked out.
6. Before performing any maintenance, secure dock leveler properly.
7. Do not load leveler beyond capacity shown on serial name plate on leveler.
8. Stay clear of dock leveler and vehicle when vehicle is backing in or leaving dock area.
9. Secure vehicle by chocking vehicle wheels or use of vehicle restraint, as detailed by OSHA, before operating dock leveler.
10. Do not use or move the dock leveler if anyone is under, in front and/or on dock leveler.
11. Keep hands and feet clear of dock leveler pinch points

- at all times. Never use hands to lift dock ramp and/or lip onto vehicle or to store dock leveler.
12. Never try to lift or move any part of the Dock Leveler without using the Comfort grip handle.
13. Do not drive on leveler unless lip is securely on vehicle bed and has a minimum of 4" (100mm) projection on vehicle bed.
14. Do not exceed 3 mph when driving over dock leveler.
15. Do not drive over edges of the leveler and / or dock bumper blocks (bumpers blocks are not structural).
16. Do not leave equipment or material unattended on leveler.
17. Do not leave the leveler unattended in the deployed position.
18. Do not use fork truck or any other material handling equipment to lower leveler ramp.
19. Never attempt to perform repairs. Always defer repairs to a qualified service technician.
20. Do wear safety equipment as required.
21. Workplace practical guide for safe use of this product may restrict the use of any substance that may compromise or impair safe operational use.

*This manual is intended to be readily available. Keep it near the leveler as a ready reference for anyone who may operate or service it. If the leveler being operated is not equipped with a manual, request to obtain one and have it located near the leveler.*

*An authorized dealer or distributor is readily available to answer questions about leveler operation and maintenance and will provide additional information should it be required.*

## EXCLUSION OF LIABILITY

The manufacturer assumes no liability for damage or injury to persons or property which have occurred as a result of defects or faults in the dock levelers delivered or due to incorrect use. The manufacturer also assumes no liability for lost profits, operating down times, or similar indirect losses which the buyer has incurred. Damage to third parties, irrespective of its nature, is not subject to compensation.

The operating instructions are not subject to notification of amendment. The descriptions and illustrations included in our operating instructions and replacement parts list are not binding. In the interests of continuing product development, we reserve the right to make any changes at any time to the product construction, structure, components and accessories, concurrent with our continuing product improvement program, specifications are subject to change without notice. Please contact Blue Giant for latest product information, or visit our web site [www.BlueGiant.com](http://www.BlueGiant.com) for the most current product information.

# SAFETY WARNINGS

## Safety Signs and Safety Messages

Improper operation can cause accidents. Don't take chances with incorrect or damaged equipment. Read and understand the procedures for safe operation and maintenance outlined in this manual. Don't hesitate to ask for help.

Stay alert! Follow safety rules, regulations, and procedures. Avoid accidents by recognizing dangerous procedures or situations before they occur.

Safety signs and messages are placed in this manual to provide instructions and identify specific areas where potential hazards exist and special precautions should be taken. Know and understand the meaning of these instructions, signs, and messages. Damage to the equipment, death, or serious injury to you or other persons may result if these messages are not followed. If warning decals are damaged, they must be replaced. Contact your Distributor for replacements.

### **DANGER**

This message indicates an imminently hazardous situation which, if not avoided, will result in death or serious injury.

### **WARNING**

This message indicates a potentially hazardous situation which, if not avoided, could result in death or serious injury.

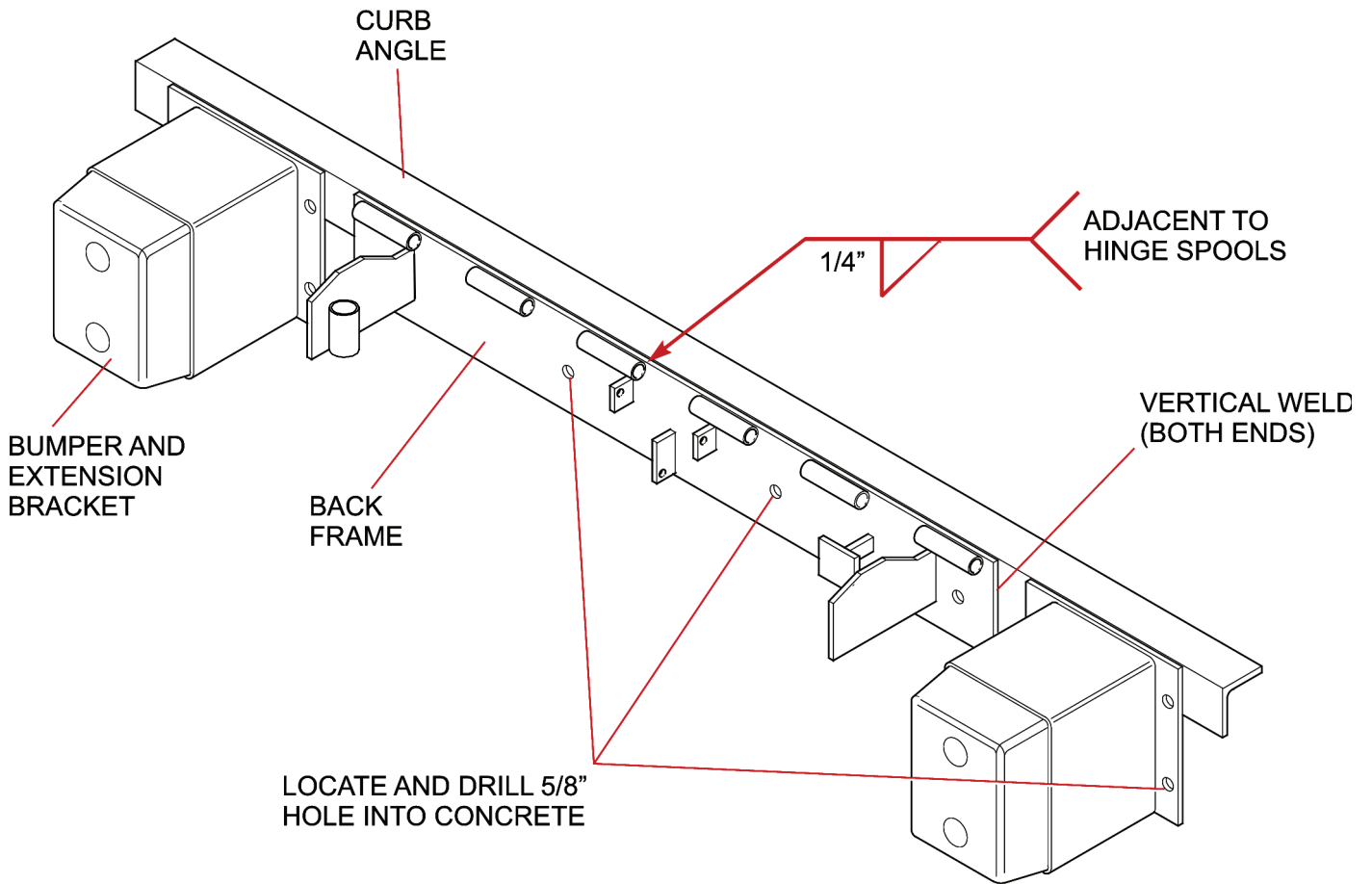
### **CAUTION**

This message indicates a potentially hazardous situation which, if not avoided, may result in minor or moderate injury.

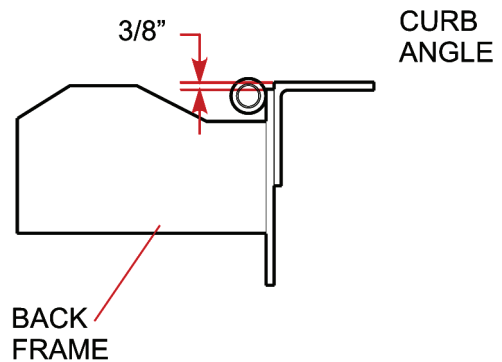
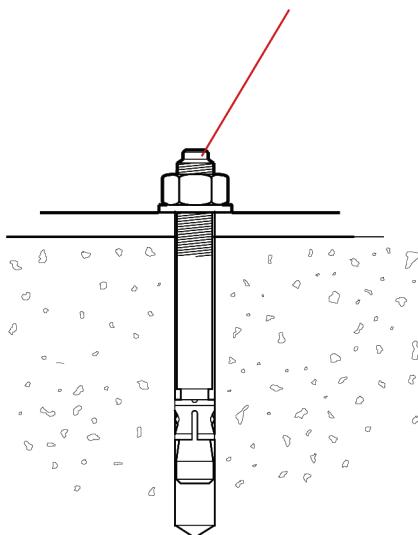
### **IMPORTANT**

This message is used when special precautions should be taken to ensure a correct action or to avoid damage to or malfunction of the equipment and/or a component.

# INSTALLATION INSTRUCTIONS



INSTALL (12) - 5/8" X 6" CONCRETE WEDGE ANCHORS



# INSTALLATION INSTRUCTIONS

## WARNING

**Do not install, operate and/or service this leveler until you have read and understood all of the safety information and instructions contained herein and on the leveler.**

**Do not work under or around leveler being installed without first placing adequate barriers to positively prevent vehicle traffic from entering the work area.**

**Keep hands and feet clear of dock leveler pinch points**

## Mechanical Edge-Of-Dock Installation

1. Inspect the loading dock curb angle and verify that it is firmly embedded and anchored in the concrete and is minimum 3" x 8" x 1/4" (75 x 75 x 6mm) steel. If there is no curb angle, if anchoring or embedding is questionable, or is not of minimum size specified, proceed with advise installation mounting types per page 6.

## WARNING

**The EOD leveler must be welded to a firmly embedded steel channel or other dock steel as described in the installation instructions. Do not attempt to use only bolts or anchors to attach the dock leveler to the concrete.**

**Use caution when removing strapping from the EOD leveler. Keep hands clear of pinch points and wear appropriate safety attire - glasses, gloves and work boots.**

2. Remove strapping from the EOD and discard all shipping material.

## WARNING

**Use caution when lifting or moving the EOD leveler. Do not attempt to lift without suitable hoisting equipment capable of lifting as much as 600 lbs.**

4. Position the back frame so that the top of the frame is 5/32" (4mm) below the level of the top of the curb angle (plus 1/8" (4mm), minus 0" (4mm)). Ensure top of frame is parallel with the top of the curb angle.

5. Tack weld top of back frame securely to curb angle.

6. Ensure that the back frame is firmly against curb angle or dock face concrete and plug-weld the back frame to the curb angle at the four circular holes in the frame. If curb angle does not overlap these holes, use the back plate as a template and drill four holes 5/8" dia. x 6" (15mm x 150mm) deep, in the dock face concrete. Clean out holes and insert and permanently install appropriate concrete wedge anchors. (See page 4). Tighten enough to secure the Back Frame.

7. Finish weld the top of the back frame to the curb angle. Weld 1/4" x 5" (6mm x 125mm) long welds on both ends of the back frame. Repeat the 1/4" welds on 9" (225mm) centers

across the full length of the back frame.

8. Vertical weld both ends of back frame to curb angle, full length of vertical contact. Tighten the wedge anchor nuts securely.

9. Position the left-hand bumper bracket (as viewed when standing on the driveway in front of the Dock Leveler) so that there is 1/2" (13mm) clearance between the bracket side and the comfort grip handle pocket, and the bracket is level with the top of the curb angle. Weld all horizontal and vertical contact areas between bracket and curb angle and plug weld mounting holes that overlap curb angle. Install concrete wedge anchors 5/8" x 6" (15mm x 150mm) in mounting holes that are not welded.

10. Position the right-hand bumper bracket so that there is a 1/2" (13mm) clearance between the bracket and the dock leveler deck plate. Weld all horizontal and vertical contact areas between bracket and curb angle and plug weld mounting holes that overlap curb angle. Install concrete wedge anchors 5/8" x 6" (15mm x 150mm) in mounting holes that are not welded.

11. Install the comfort grip handle in the pocket on the left side of the deck. To do so, remove the bolt from the bottom of the handle, insert handle through pocket, then re-install bolt through hole in handle.

12. Lubricate all pivot points using SAE30 motor oil or equivalent.

## Installation Inspection

1. Clean up the entire work area and apply touch-up paint to all welds, scratches and burns.

2. Ensure all concrete wedge anchors have been securely tightened.

## WARNING

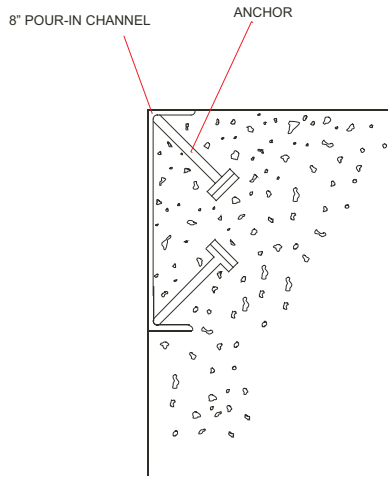
**Read and understand this entire manual prior to operating.**

3. Test operate the unit through several full cycles of operation. Refer to: Operating Procedures. If problems are noted, See Section on Troubleshooting.

4. Leave these Instructions for use by owner.

# INSTALLATION MOUNTING TYPES

## 8" Pour-In Channel

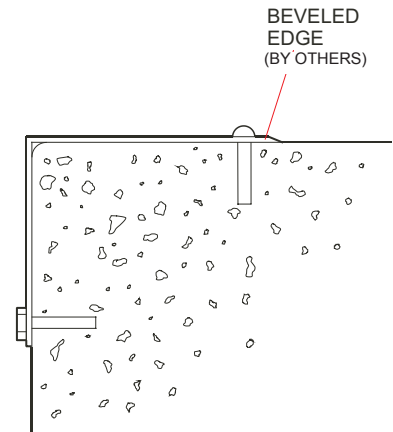


**Figure 2 : 8" Pour-In Channel Arrangement**

- Must be poured-in with dock concrete.
- 8" Structural channel minimum, 11.5 lb/ft.
- Weld-on curb angle concrete anchors to be minimum 5/8" x 6" long located on 12" centers with one anchor 3" from each end.

## One Piece Angle Plate

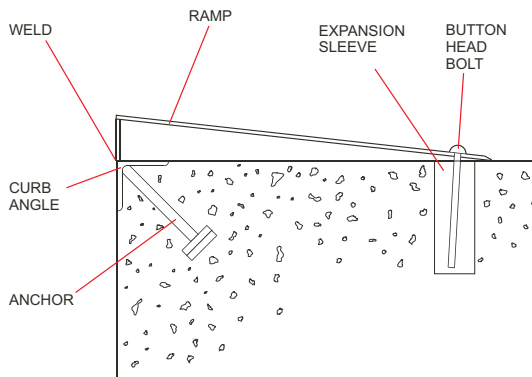
**Face Plate Types** - For use on existing docks with no curb steel



**Figure 4 : One Piece Angle Plate**

- 1/4" minimum plate thickness. Top plate 13" wide, face plate 10" wide. Length to suit EOD Leveler model.
- Place angle plate on existing dock as shown. Use as drill template.
- Lag to sound concrete as follows:  
Top Plate - Drill 3/4" dia. x 3-1/2" deep holes. Insert 5/8" expansion sleeves (010-116). Install and tighten 5/8" x 1-1/2" button-head bolts (010-117) using 3/8" Allen key.  
Face Plate - Drill 5/8" dia x 6" deep holes. Insert 5/8" x 6" long concrete anchor wedges (010-108) and tighten.

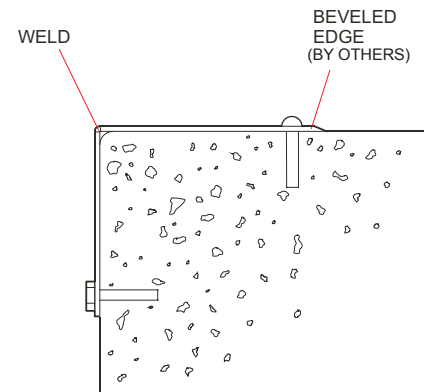
## Optional Approach Ramp Installation



**Figure 3 : Approach Ramp Arrangement**

- Position ramp as illustrated. Outside edge of ramp flush with outside edge of curb angle.
- Tack-weld ramp to curb angle.
- Drill 3/4" dia. holes using ramp as a template. Insert 5/8" expansion sleeves (010-116). Install and tighten 5/8" x 1-1/2" button-head bolts (010-117) using 3/8" Allen key wrench.
- Weld the ramp to the curb angle as illustrated. 1/4" x 5" welds on 9" centers.

## Two Piece Angle Plate



**Figure 5 : Two Piece Angle Plate**

- 1/4" minimum plate thickness. Top plate 13" wide, face plate 10" wide. Length to suite EOD Leveler model.
- Place top plate on top of existing dock, front edge flush with dock face, full length.
- Drill 3/4" dia. x 3-1/2" deep holes using plate as template. Insert 5/8" expansion sleeves (010-116). Install and tighten 5/8" x 1-1/2" button-head bolts (010-117) using 3/8" Allen key wrench.
- Place face plate in position as shown. Position top edge for welding and tack-weld to top plate.
- Drill 5/8" dia. x 6" deep holes using plate as a template. Insert 5/8" x 6" long concrete wedge anchors (010-108) and tighten.
- Weld the two plates together as illustrated. 1/4" x 5" long welds on 9" centers.

**Note : All hardware must be purchased separately as part of an optional mounting kit. Consult your local distributor/dealer for more information.**



# OPERATING INSTRUCTIONS

## WARNING

**Do not install this leveler, operate and/or service unless you have been trained and authorized to do so.**

**Do not install, operate and/or service this leveler until you have read and understood all of the safety information and instructions contained herein and on the leveler.**

**Do not operate this leveler until you have checked its condition. Report the need for leveler repairs to your supervisor immediately and do not operate leveler until repairs are made. Neglect may cause a minor repair to become a major service problem and cause the leveler to become unsafe.**

**Never try to lift or move any part of the Dock Leveler without using the comfort grip handle.**

**Keep hands and feet clear of dock leveler pinch points at all times. Never use hands to lift dock ramp and/or lip onto vehicle or to store dock leveler.**

**Do not drive on leveler unless lip is securely on vehicle bed and has a minimum of 4" (100mm) projection on vehicle bed.**

**Do not exceed 3 mph when driving over dock leveler.**

**Do not drive over edges of the leveler and / or dock bumper blocks (bumpers blocks are not structural).**

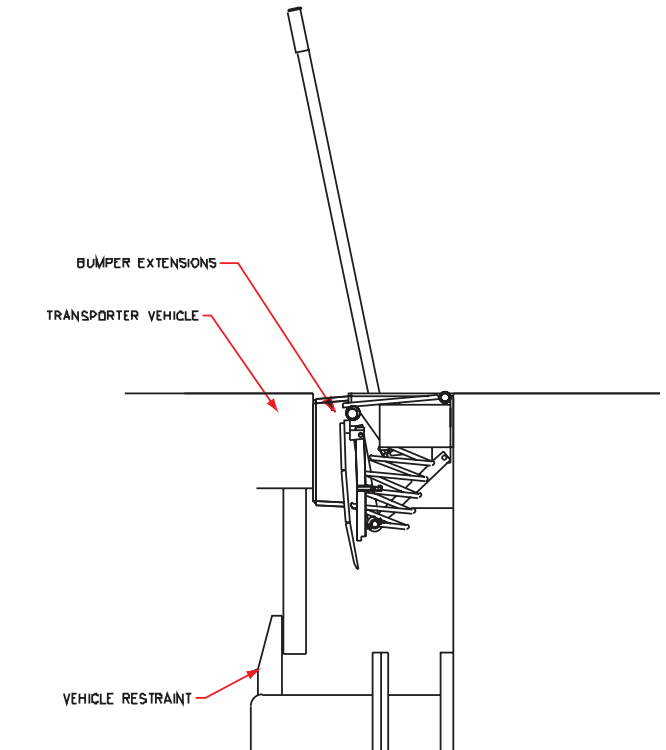
## FUNCTIONAL DESCRIPTION

- The Mechanical Edge-of-Dock (EOD) Leveler is intended to be used as a bridge located between a loading dock floor surface and the rear deck upper surface of a vehicle.
- The EOD Leveler upper deck plate complete with a hinged, vertically hanging lip plate is located flush with the floor surface and is permanently mounted on the outer edge of the loading dock.
- The rear deck surface of a vehicle is parked and blocked in place against the dock bumpers that are integral components of the EOD Leveler, in working alignment with the EOD Leveler. An EOD Leveler used in conjunction with a Vehicle Restraint are ideal for this application. Consult your local Dealer/Distributor.
- The EOD Leveler is operated by pulling back on the comfort grip handle. The hinged lip plate raises to a horizontal position as the deck is rotated up into a vertical position. As the operator pushes the comfort grip handle forward, rotating the deck forward into a horizontal position, the lip moves forward horizontally until the underside comes to rest on the deck of the vehicle.
- A bridge is now formed that is supported at the building end by the dock floor and at the vehicle end by the vehicle deck.
- The EOD must now be walked to insure the kicker bar is disengaged.
- No other means of support is provided when in this position.
- The EOD Leveler is restored to its original stored position by the operator before the vehicle is allowed to depart.

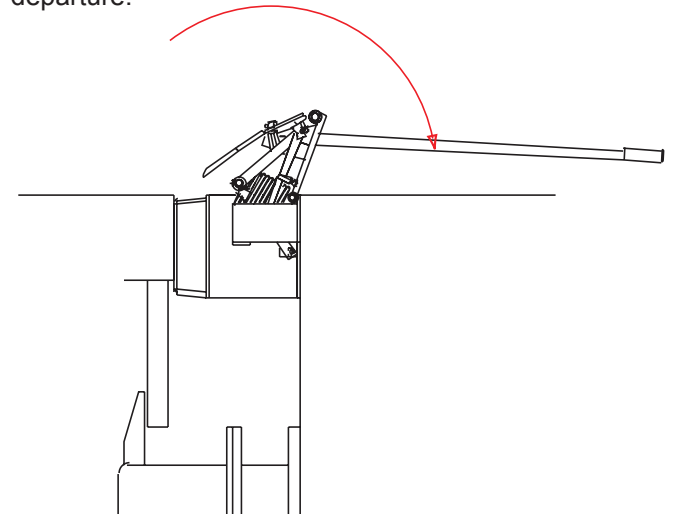
## OPERATION (CONTACT SUPERVISOR FOR ASSISTANCE) DOCK IS AVAILABLE FOR USE

1. The vehicle driver reverses the vehicle into position firmly against the dock bumper extensions.

Note : The comfort grip operating handle is shown in position.



2. The dock operator ensures the vehicle is blocked securely (using either a vehicle restraint and/or wheel chocks) to prevent forward creep or unexpected departure.



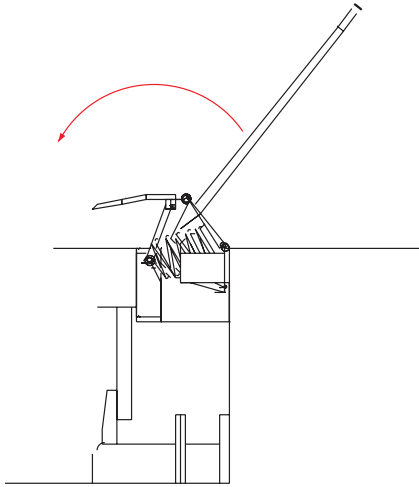
3. The operator pulls the comfort grip operating handle backwards fully to rotate the handle to its lower position. The deck plate is past the vertical position and the lip plate is near horizontal.

# OPERATING INSTRUCTIONS

## **⚠ WARNING**

*Do not attempt to operate the EOD leveler without using the comfort grip handle.*

4. The operator pushes the comfort grip operating handle forward to rotate the deck plate back towards its original position.

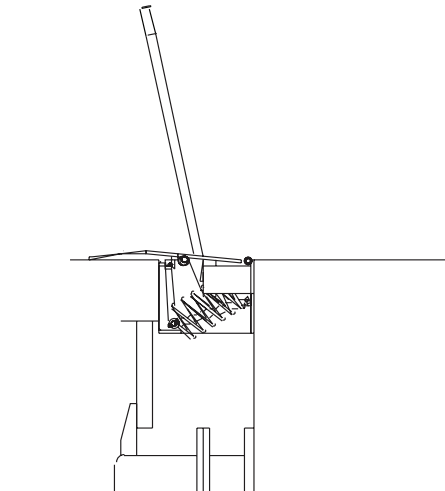


5. During this step, the lip plate will remain horizontal and extend until it comes to rest on the transport vehicle floor.

## **⚠ WARNING**

*The lip plate must overlap the transporter vehicle load bed by a minimum of 4" (100mm) full width.*

6. With the lip plate in full contact with the vehicle load bed, the loading/unloading operation can be completed.

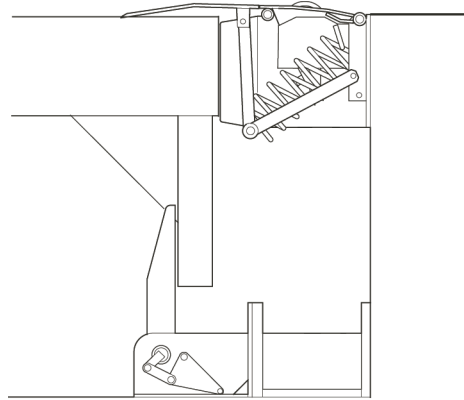


## **IMPORTANT**

*Remove the comfort grip handle, before loading and/or unloading cargo.*

## **⚠ WARNING**

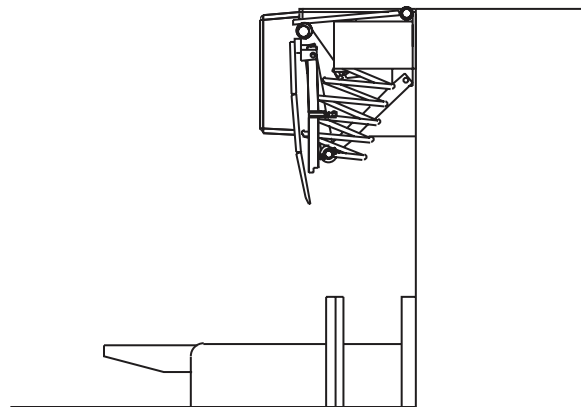
*The vehicle should never be allowed to depart with the lip plate resting on the load bed.*



7. When traffic across the dock leveler has ceased the operator must return the EOD Leveler to its stored position.

8. The operator raises the deck, by pulling back on the comfort grip handle, only enough to release the lip from the surface of the transporter vehicle load bed. When the lip pivots downward to a pendant position, the unit is allowed to return to stored position.

9. The operator releases the vehicle restraint or removes the wheel chocks to allow the vehicle to depart. The operator then indicates to the vehicle driver that it is safe to depart.



10. The comfort grip handle is then returned to the stored position. The dock is once again available for use.

# MAINTENANCE

## **WARNING**

**Do not work under or around the dock leveler without first placing adequate barriers to positively prevent vehicle traffic from entering the work area.**

**Never attempt to perform repairs. Always defer repairs to a qualified service technician.**

## **Routine Servicing And Maintenance**

Regular maintenance and care of the equipment is very important for cost and operation efficiency and more importantly operator safety. Faulty equipment is a potential source of danger to the operator, and to other personnel working near it. As with all quality equipment, keep the equipment in good operating condition by following the recommended schedule of maintenance.

Failure to do so will void the manufacturer's warranty.

## **Authorize Usage**

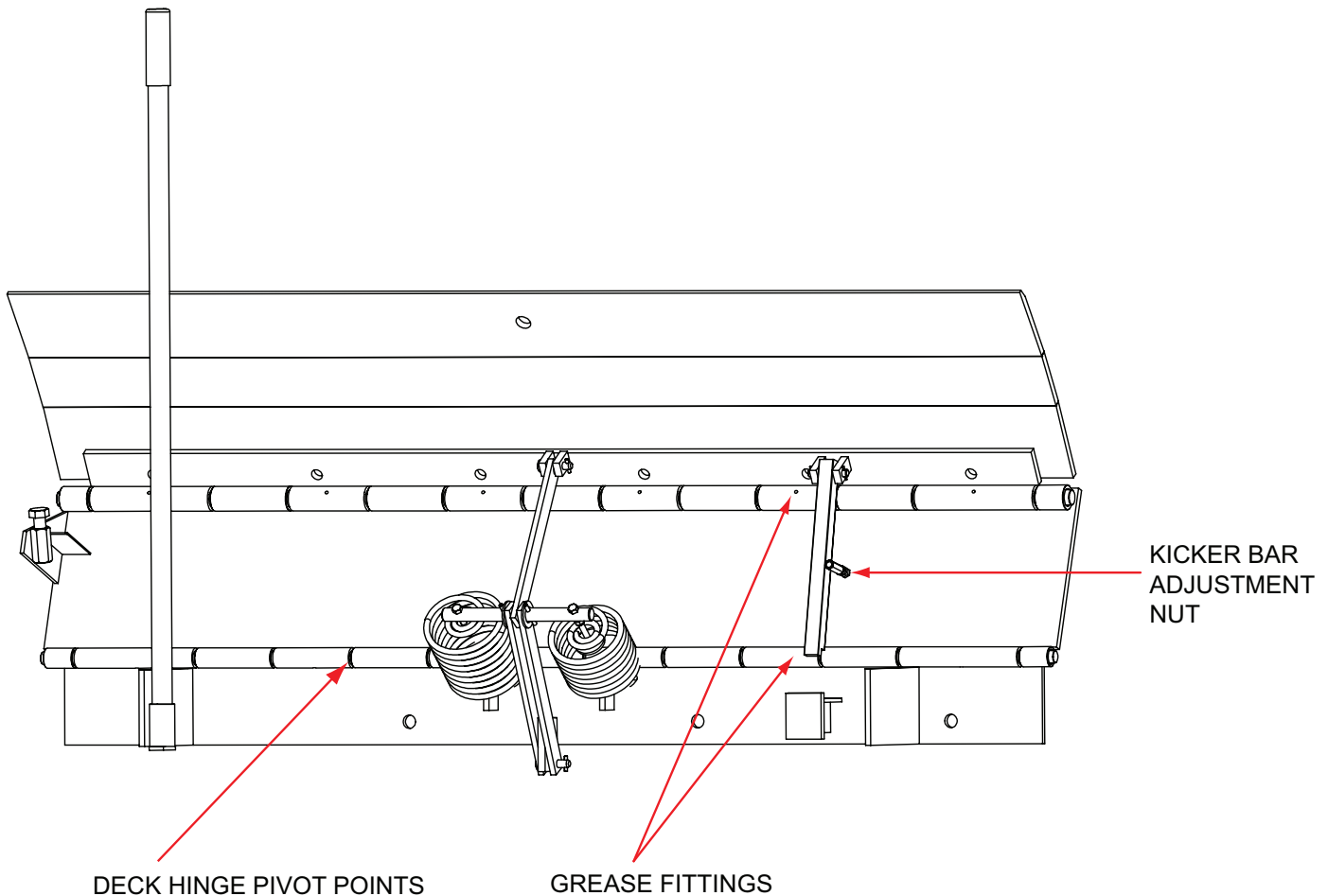
The importance of this procedure is emphasized in this manual with a brief review and later with more detailed instructions. For more information regarding authorize usage contact manufacture.

Available support by dealer/distributor:

- *Equipment usage training and authorization*
- *Workplace practical guide for safe use of this product*
- *Ease of service; inspection and planned maintenance*
- *Equipment daily inspection check list*

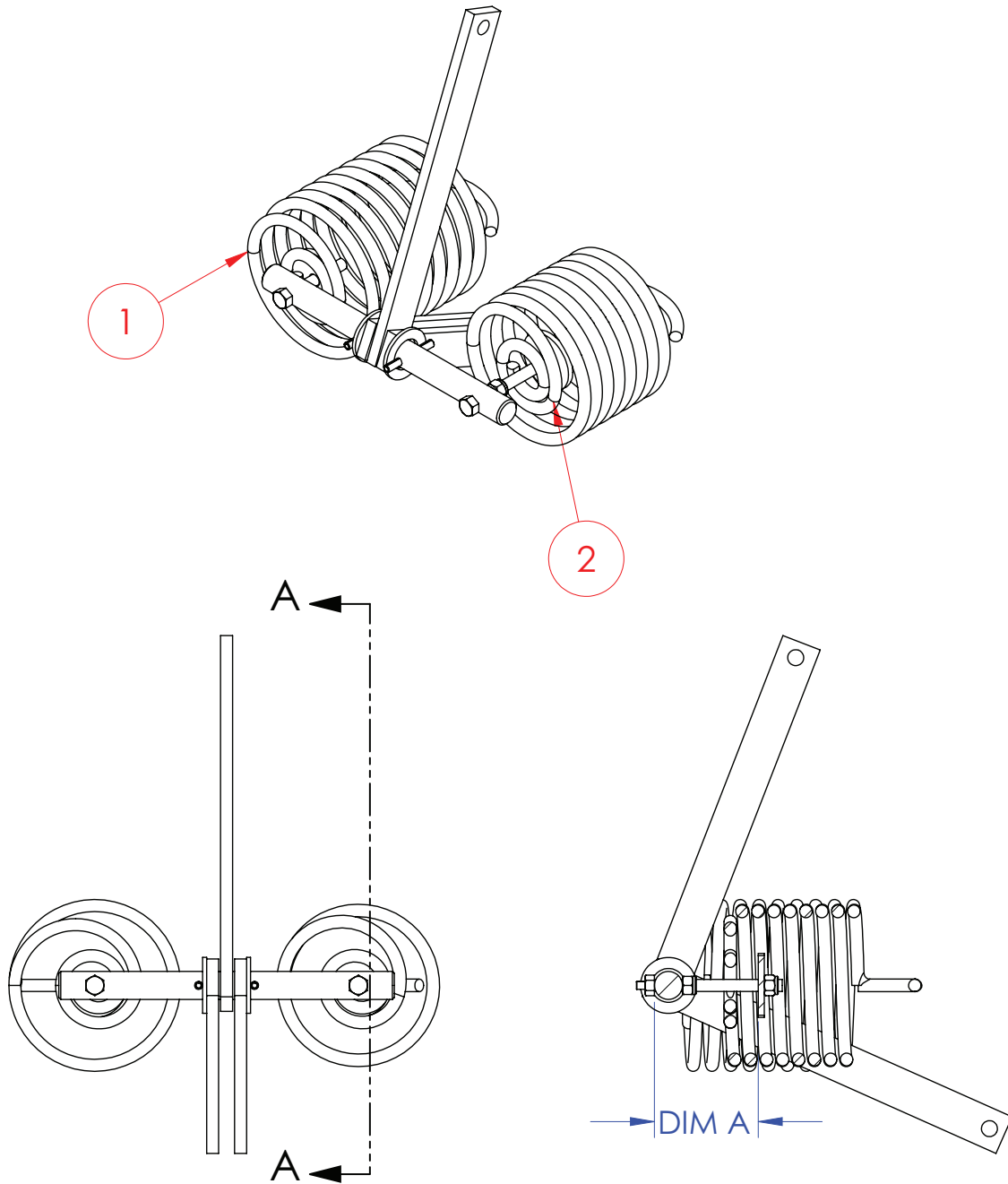
## **Maintenance Sequence**

1. Cleaning, including surrounding area.
2. Visual inspection of all components.
3. Lubrication as required.
4. Test operate all functions.
5. Adjustments if required.



**Figure 6 : Mechanical Edge-Of-Dock Leveler - Lubrication Points**

# MAINTENANCE



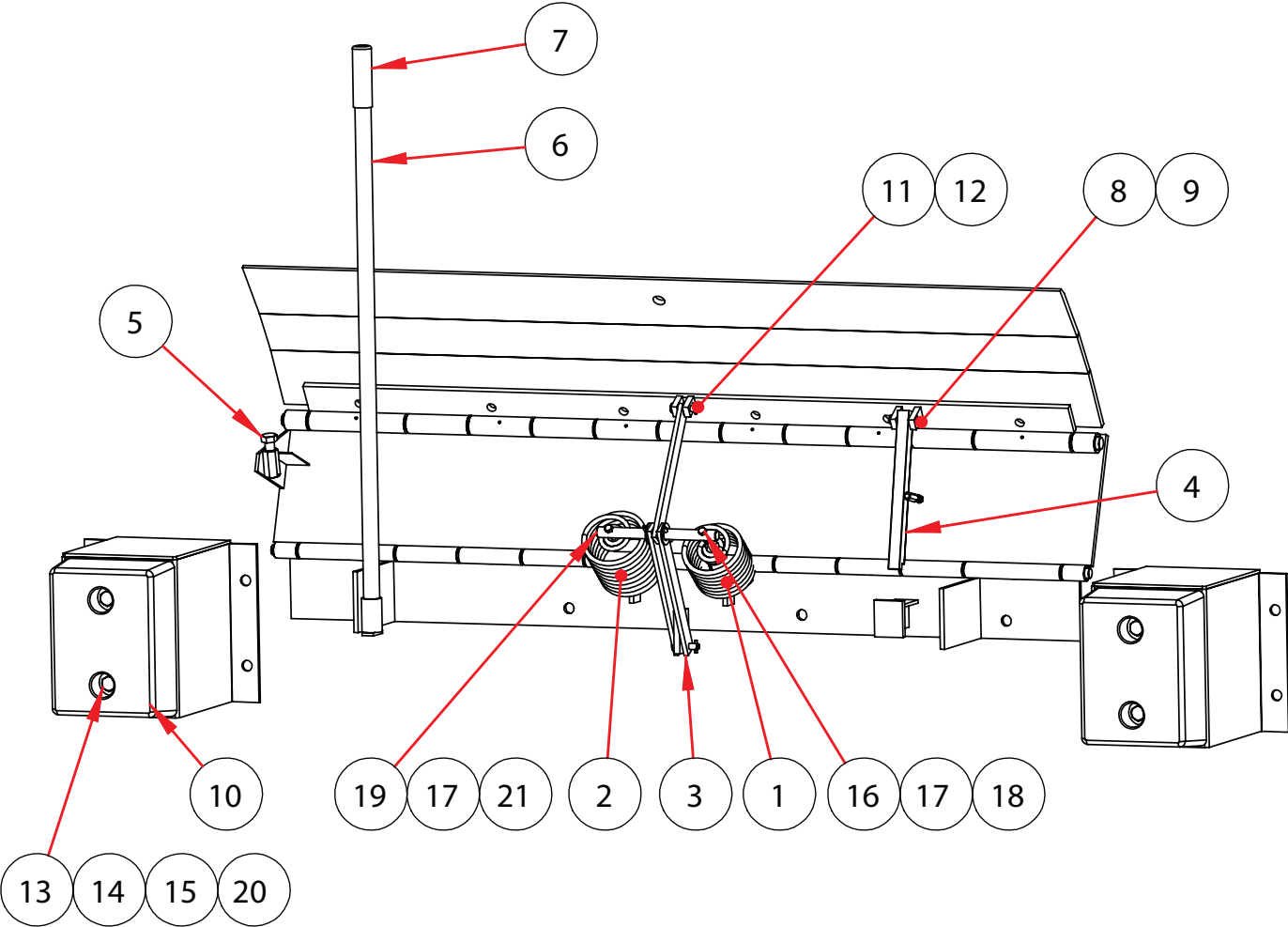
| PART NUMBER | MODEL           | ITEM # 1 | ITEM # 2 | DIM A  |
|-------------|-----------------|----------|----------|--------|
| 200-01574   | MDC6620M        | 017-061  | 017-061  | 1 1/4" |
| 200-01574-1 | MDC6625 & 6630M | 017-061  | 017-083  | 2"     |
| 200-01574-1 | MDC7220M        | 017-061  | 017-083  | 2 1/4" |
| 200-01574-2 | MDC7225 & 7230M | 017-083  | 017-083  | 3"     |
| 200-01574-2 | MDC7825 & 7830M | 017-083  | 017-083  | 2 1/8" |

Note: Dim. A is for general reference only.

## TROUBLE SHOOTING

| Problem   | Cause and Solution  |
|---|---|
| EOD Leveler requires more effort than usual when raised to position.  | <ul style="list-style-type: none"> <li>• Adjustment of Extension Springs required</li> <li>- Increase tension of both springs equally</li> <li>Note: Increase spring tension only enough to provide usual lifting effort</li> </ul>   |
| <p>When pulling the comfort grip handle up to raise the EOD into position, the lip does not remain horizontal as deck is pushed forward.</p> <p>Lip does not deploy onto vehicle bed.</p> | <ul style="list-style-type: none"> <li>• Lip Kicker Bar did not swing into position over fixed block</li> <li>• Adjust adjusting screw outward to raise lip and allow lock bar to swing into position over block</li> <li>• Lip Kicker bar binding at mounting bracket. Bar must swing freely</li> <li>• Lubricate or straighten</li> </ul> |
| Lip Kicker Bar does not swing down to release position when unit is lowered onto vehicle bed.   | <ul style="list-style-type: none"> <li>• Kicker bar is binding in its mounting bracket</li> <li>- Lubricate or straighten. Bar must swing freely</li> </ul>   |
| Lip remains partially extended after vehicle drives away.   | <ul style="list-style-type: none"> <li>• Lip hinge has seized up</li> <li>- Free up and lubricate</li> </ul>  |
| Lip hits back of vehicle first.   | <ul style="list-style-type: none"> <li>• Adjust adjusting screw to provide clearance</li> <li>See page 12 &amp; 13 for Component Identification</li> <li>• Bumper worn out; replace Bumper.</li> </ul>  |

# REPLACEMENT PARTS



**MECHANICAL MDC SERIES: ALL MODELS**

## AVAILABLE REPLACEMENT PARTS

| ITEM | QTY | PART NUMBER | GENERAL DESCRIPTION | SPECIFIC DESCRIPTION      |
|------|-----|-------------|---------------------|---------------------------|
| 1    | 1   | 017-083     | TENSION SPRING      | ALL MODELS EXCEPT MDC6620 |
|      |     | 017-061     | TENSION SPRING      | MDC6620M (15" & 17" LIP)  |
| 2    | 1   | 017-083     | TENSION SPRING      | MDC7225M (15" & 17" LIP)  |
|      |     |             |                     | MDC7230M (15" & 17" LIP)  |
|      |     |             |                     | MDC7825M (15" & 17" LIP)  |
|      |     |             |                     | MDC7830M (15" & 17" LIP)  |
|      |     | 017-061     | TENSION SPRING      | MDC6620M (15" & 17" LIP)  |
|      |     |             |                     | MDC6625M (15" & 17" LIP)  |
|      |     |             |                     | MDC6630M (15" & 17" LIP)  |
|      |     |             |                     | MDC7220M (15" & 17" LIP)  |
| 3    | 3   | 200-01573   | EXTENSION BAR       | ALL MODELS                |
| 4    | 1   | 252-0024-2  | KICKER BAR ASSY.    | ALL MODELS                |
| 5    | 1   | 010-067     | CAP SCREW           | ALL MODELS                |
| 6    | 1   | 200-01585-1 | HANDLE TUBING       | ALL MODELS                |
| 7    | 1   | 200-01570   | TUBE CAP            | ALL MODELS                |
| 8    | 1   | 250-0001    | PIN                 | ALL MODELS                |
| 9    | 2   | 013-020     | SPRING PIN          | ALL MODELS                |
| 10   | 2   | 110-886     | BUMPER              | ALL MODELS                |
| 11   | 2   | 300-170     | CLEVIS PIN          | ALL MODELS                |
| 12   | 2   | 013-006     | SPRING PIN          | ALL MODELS                |
| 13   | 4   | 010-086     | CAP SCREW           | ALL MODELS                |
| 14   | 4   | 012-214     | WASHER              | ALL MODELS                |
| 15   | 4   | 011-510     | NUT                 | ALL MODELS                |
| 16   | 2   | 010-083     | CAP SCREW           | ALL MODELS                |
| 17   | 4   | 105-882     | FLAT WASHER         | ALL MODELS                |
| 18   | 3   | 011-552     | LOCK NUT            | ALL MODELS                |
| 19   | 1   | 200-01572   | SPRING SHAFT        | ALL MODELS                |
| 20   | 4   | 012-222     | LOCK WASHER         | ALL MODELS                |
| 21   | 2   | 013-012     | SPRING PIN          | ALL MODELS                |

# NOTES



# NOTES

# WARRANTY

The Manufacturer's Base Warranty policy, as posted on manufacturer's web site, applies at time of warranty claim to the following Product Classes as listed below. Additional warranties for the following Product Classes, as listed below, may apply if pre-authorized and approved by manufacturer (please contact manufacturer for further information). Visit manufacturer's web site for our current warranty policies.

## BASE WARRANTY

The manufacturer warrants to the original purchaser of the loading dock equipment purchased from the manufacturer to be free from defective material and workmanship under normal use for a period of 1 year (365 days). Manufacturer warrants all electrical components (electrical controls, switches, etc.) purchased from the manufacturer to be free from defective in material and workmanship under normal use for a period of ninety (90) days, subject to accepted Non-Conformance Report (NCR). All warranty coverage is to commence from the date of receipt by the first end user or sixty (60) days after date of shipment, whichever comes first. Purchaser agrees upon the manufacturer's standards of use as listed below:

- 1) Product selection and usage based in regards to rated capacities, duty cycle limitations, grade limitations and/or design specific application(s) requirements.
- 2) Product to be properly installed per manufacturer's instructions, by manufacturer trained personnel.
  - a. The proper initial field set-up, adjustment and lubrication are the sole responsibility of the end user, at time of installation.
- 3) Product to be properly maintained per manufacturer's instructions, by manufacturer trained personnel.
  - a. Maintenance is not covered under this warranty and is the sole responsibility of the end user.
- 4) Product usage and operation must be per manufacturer's instructions.
  - a. Product usage and operation training is the sole responsibility of the authorized manufacturer Service Company
- 5) No warranty is available for wear items as determined by the manufacturer (example: pins, bushings, cylinder(s), etc.).
- 6) Product usage and operation must be per manufacturer's instructions.
  - a. Product usage and operation training is the sole responsibility of the authorized manufacturer Service Company.

The Warranty Registration Form must be completed in full and returned to the manufacturer within sixty (60) days of receipt in order for the warranty to be deemed valid.

The manufacturer shall remedy any defects deemed covered under this warranty by replacing or repairing any defective equipment or parts while incurring reasonable expenses, as determined by manufacturer, for all parts, labor and freight unless otherwise stated herein. Freight expenses for shipping repair/replacement parts will be incurred under conditions of standard shipping terms. Any overnight or special freight requirements will be billed to the end user or authorized dealer as recognized by the manufacturer.

Any Original Equipment Manufactured (OEM) part that is replaced during the Base Warranty time period will be either: further covered for the remainder of the Base Warranty time period, or for a further 90 days: whichever is longer.

## ADDITIONAL WARRANTY TIME PERIODS:

Parts or components which fail under normal usage and are proven to be defective will be deemed eligible for repair or replacement, (providing no special conditions apply, as stated below) providing the failure occurs within the Additional Warranty Time Period of a given Product Class as stated below. Replacement parts will be supplied F.O.B. factory.

Edge-Of-Dock Leveler, no further coverage beyond the expiration of the Base Warranty time period of one (1) year parts, labor and freight.

## WARRANTY CLAIMS AND VALIDATION:

- 1) Authorization must be given by manufacturer, prior to any "corrective" work is undertaken.
  - a. Upon manufacturer's approval of "corrective" work, authorized manufacturer Service Company is required to make complete repairs.
    - i. Authorized manufacturer Service Company location is to be within 125 miles/200 kilometers from customer location, unless pre-authorized in writing by manufacturer.
  - b. Manufacturer's warranty claim form is then required to be completed.
    - i. Warranty form is required to be sent to the manufacturer within thirty (30) days of claim.
      1. Manufacturer at its discretion may require and request further information:
        - a. Documentation i.e., service orders, invoices, etc...
        - b. Photographs of defective and/or repaired product and/or components.
  - c. Manufacturer at its discretion may require and request return of all defective parts.
    - i. Requires manufacturer's authorized Service Company to request RGA (return goods authorization) approval, prior to return of defective parts to manufacturer.
      1. Return of completed RGA and/or defective parts is within thirty (30) days of request.
- 2) Manufacturer at its discretion may require and request site inspection at any given time it deems it is required, to better provide greater details that have not been met as stated above.

## WARRANTY IS VOID IF:

- 1) Warranty Registration Form is not completed and returned to the manufacturer within sixty (60) days of receipt.
- 2) The original purchaser does not notify the manufacturer of the defect within ninety (90) days after the defect has been detected.
- 3) Equipment is modified in any manner not approved by the manufacturer.
- 4) Equipment unauthorized conditions of use:
  - operated beyond its rated capacity,
  - in excess of its determined duty cycle,
  - operated in excess of its determined maximum grade,
  - Or combination of the above therein, which can directly be attributed to be the cause of failure.
- 5) Equipment is used in abrasive, corrosive, and/or conditions of excessive cold /moisture without having been factory specified to be engineered to withstand such conditions.

# WARRANTY

## **NO WARRANTY IS AVAILABLE FOR THE FOLLOWING:**

- 1) No warranty claim is available for normal maintenance, including initial field set-up and adjustments (i.e., lubrication, adding oil, etc.).
- 2) Wear items as determined by manufacturer (example: pins, bushings), etc.). Contact manufacturer for complete listing.
- 3) Repairs required as a result of:
  - Failure to follow maintenance and/or lubrication procedures specified in the owner's manual.
  - Abuse, willful damage, accident, neglect, and/or beyond contemporary weather
  - Shipping damage. (Claim must be made with the freight carrier)
- 4) Rental equipment and/or standard installation and service tools, unless approved by the manufacturer.

THE MANUFACTURER DOES NOT ASSUME RESPONSIBILITY OR LIABILITY FOR INCIDENTAL, CONSEQUENTIAL OR SPECIAL DAMAGES, OR FOR LOSS OF PROFIT OR DAMAGE TO TRADE OR BUSINESS WHICH RESULTS FROM THE EQUIPMENT.

THE ABOVE WARRANTIES ARE IN LIEU OF ANY OTHER WARRANTIES, EITHER EXPRESSED OR IMPLIED, INCLUDING BUT NOT LIMITED TO ANY IMPLIED WARRANTY OF MERCHANTABILITY OR FITNESS FOR A PARTICULAR PURPOSE. THERE ARE NO WARRANTIES WHICH EXTEND BEYOND THE DESCRIPTION CONTAINED HEREIN.



85 Heart Lake Road South  
Brampton, Ontario, Canada L6W 3K2  
Phone: 905-457-3900 • Fax: 905-457-2313  
[www.BlueGiant.com](http://www.BlueGiant.com)

**BLUE GIANT EQUIPMENT CORPORATION**