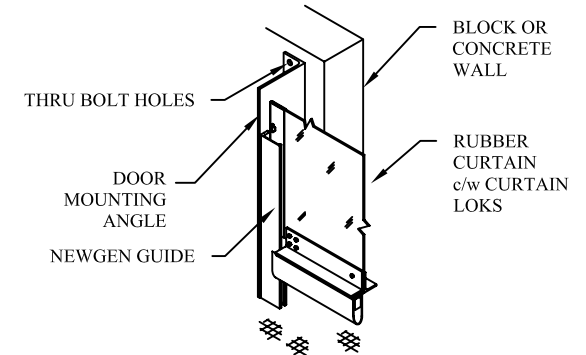


NEWGEN GUIDE AND CURTAIN LOK SYSTEM STEEL JAMB MOUNTING



NEWGEN GUIDE AND CURTAIN LOK SYSTEM CONCRETE WALL MOUNTING **

** CLEARANCE DIMENSION IS 8" FOR CONCRETE MOUNT CONFIGURATION
 *** OPTIONAL HOODS REQUIRE 10" & 16" SIDEROOM, 40" HEADROOM AND 38" OPERATOR PROTRUSION

TNR INDUSTRIAL DOORS INC.

SHOP DRAWING, MODEL HDL23, LEFT HAND

MECHANICAL OPTIONS	ELECTRICAL OPTIONS	STANDARD SYSTEM INCLUDES	EXT. DETAIL: DOOR MOUNT OPERATOR & C'BAL SPRINGS
<input type="checkbox"/> - GUIDE MOUNTED WINDBAR	<input type="checkbox"/> - RELAY LOGIC CONTROLS	- SPEEDS UP TO 20 IPS	LIMITATIONS: [OW <= 20' & 20' < OH <= 30'] OR [20' < OW <= 25' & OH < 20']
<input type="checkbox"/> - JAMB MOUNTED WINDBAR	<input type="checkbox"/> - RELAY LOGIC c/w TIMER TO CLOSE	- NEMA 4, WALL MOUNTED CONTROL PANEL	DATE DR'N: MAR. 15, 2006
<input type="checkbox"/> - GUIDE GUARDS	<input type="checkbox"/> - FUSED DISCONNECT	- NEMA 4 LIMIT BOX ON OPERATOR	REVISION: REL
<input type="checkbox"/> - *** EXTERIOR HOODS	<input type="checkbox"/> - LOOP DETECTOR	- 50,000 CYCLE COUNTERBALANCE SPRINGS	DRAWN BY: BRYAN AWREY
<input type="checkbox"/> - *** SAFETY CHAIN GUARDS	<input type="checkbox"/> - WIRELESS RECEIVER	- REVERSING EDGE	DRAWING No.: D-600-0027
<input type="checkbox"/> - 16" x 16" WINDOWS, QTY. _____	<input type="checkbox"/> - WIRELESS TRANSMITTER, QTY. _____	- THRU-BEAM PHOTOSWITCH	ELECTRICAL CRITERIA:
<input type="checkbox"/> - BLUE EPDM CURTAIN	<input type="checkbox"/> - N 4X, PUSHBUTTON ST'N, QTY. _____	- 5" HIGH, BLACK EPDM RUBBER LOOP	CONTROL PANEL NEMA/EEMAC 4 STD. OR _____
<input type="checkbox"/> - GRAY EPDM CURTAIN	<input type="checkbox"/> - MOTION DETECTOR, QTY. _____	- KNOCK-AWAY STYLE BOTTOM BAR	PRIMARY POWER SUPPLY: _____ Volts, 3 Phase, 60 Hertz
<input type="checkbox"/>	<input type="checkbox"/> - THRU-BEAM PHOTOSWITCH, QTY. _____	- NEWGEN GUIDE AND CURTAIN LOK SYSTEM	OPERATOR CRITERIA: HG, HIGH EFFICIENCY HELICAL GEAR
<input type="checkbox"/>	<input type="checkbox"/> - REFLECTIVE PHOTOSWITCH, QTY. _____	- 90 MPH WINDLOAD RATING	LIMIT BOX NEMA/EEMAC 4 STD. OR _____
<input type="checkbox"/>	<input type="checkbox"/>	- PROGRAMMABLE CONTROLLER (PLC)	_____ HP, DOOR SPEED: OPEN & CLOSE @ _____ ips
<input type="checkbox"/>	<input type="checkbox"/>	- INTEGRATED TIMER TO CLOSE (ADJUSTABLE)	END USER:
			DEALER:
			DOOR SIZE: _____
			SERIAL No.: TNR- _____