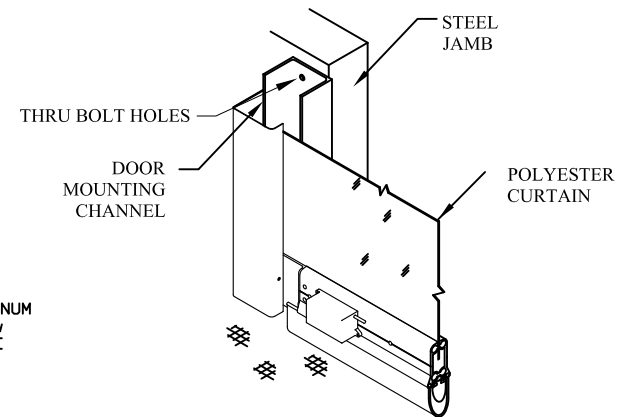


STEEL JAMB MOUNTING

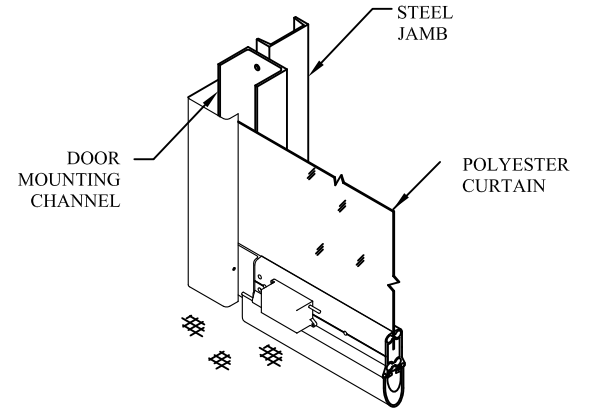
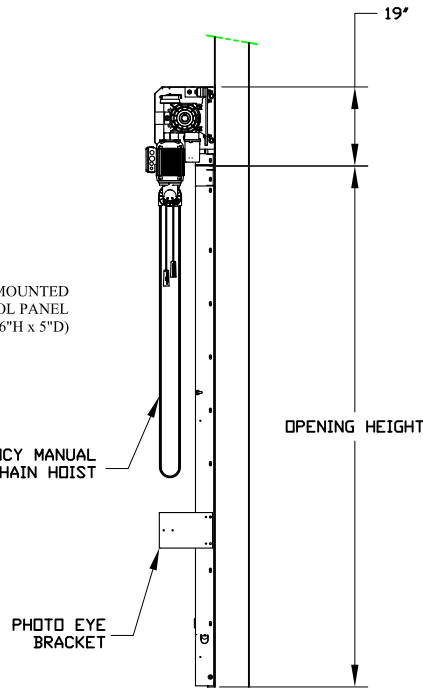
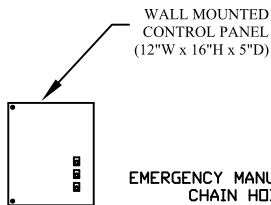
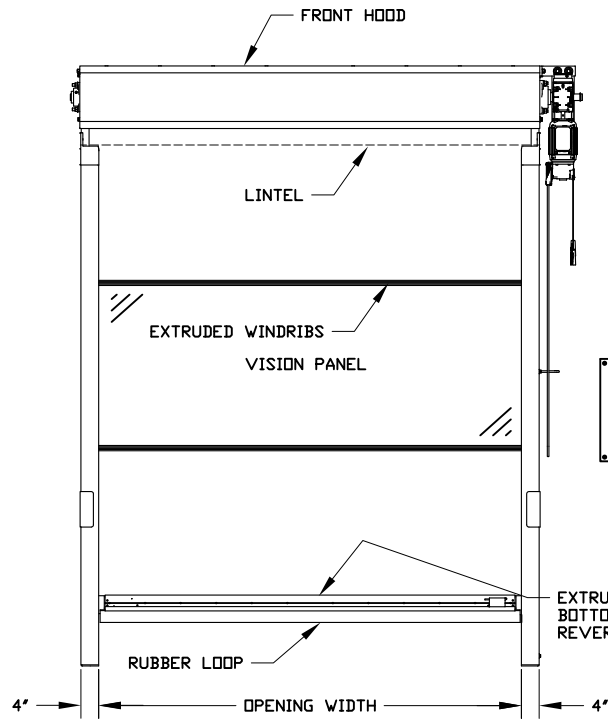
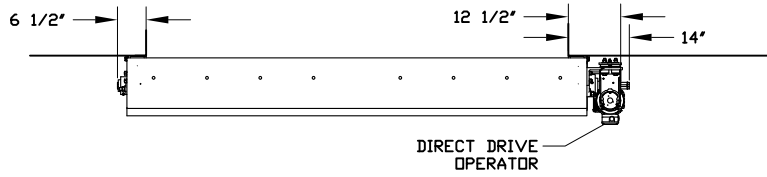


CONCRETE WALL MOUNTING **

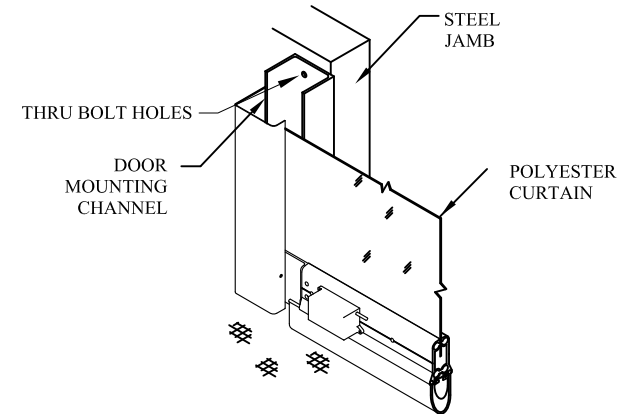
TNR INDUSTRIAL DOORS INC.

SHOP DRAWING, MODEL HDF, LEFT HAND	
EXT. DETAIL: DIRECT DRIVE OPERATOR	
LIMITATIONS: OW ≤ 16' 0" & OH ≤ 16' 0"	
DATE DR'N: DEC. 22, 2012	REVISION: A
DRAWN BY: NICK MARANDO	DRAWING No.: D-600-0090
ELECTRICAL CRITERIA: CIRCUIT BOARD & FREQUENCY INVERTER DRIVE	
CONTROL PANEL NEMA/EEMAC 4 STD. OR _____	
PRIMARY POWER SUPPLY: 230 / 460 / 575 VOLTS, 1 Phase, 60 Hertz	
OPERATOR CRITERIA: DIRECT DRIVE	
OPERATOR NEMA/EEMAC 4 STD.	
2 HP, DOOR SPEED: OPEN UP TO @ _____ ips, CLOSE UP TO @ _____ ips	
END USER:	
DEALER:	
DOOR SIZE:	SERIAL No.: TNR-

MECHANICAL OPTIONS	ELECTRICAL OPTIONS	STANDARD SYSTEM INCLUDES
<input type="checkbox"/> - BLUE CURTAIN	<input type="checkbox"/> - N 4X, WALL MOUNTED CONTROL PANEL	- SPEEDS UP TO 60 IPS OPEN, 30 IPS CLOSE
<input type="checkbox"/> - ORANGE CURTAIN	<input type="checkbox"/> - WIRELESS RECEIVER	- TIMER TO CLOSE (USER SELECT)
<input type="checkbox"/> - RED CURTAIN	<input type="checkbox"/> - WIRELESS TRANSMITTER, QTY. _____	- NEMA 4 CONTROL PANEL & OPERATOR
<input type="checkbox"/> - VISION PANEL IN P1 (MIN. HEIGHT = 6' 6")	<input type="checkbox"/> - N 4X, PUSHBUTTON ST'N, QTY. _____	- PROGRAMMABLE CONTROLLER
<input type="checkbox"/> - VISION PANEL IN P2 (MIN. HEIGHT = 9' 6")	<input type="checkbox"/> - MOTION DETECTOR, QTY. _____	- FREQUENCY INVERTER
<input type="checkbox"/> - VISION PANEL IN P3 (MIN. HEIGHT = 12' 6")	<input type="checkbox"/> - ADD. REFLECTIVE PHOTOEYE, QTY. _____	- WIRELESS AIRWAVE REVERSING EDGE
<input type="checkbox"/> -	<input type="checkbox"/> - THRU-BEAM PHOTOEYE, IN LIEU OF REFLECTIVE PHOTOEYE, QTY. _____	- 3" HIGH, BLACK EPDM RUBBER LOOP
<input type="checkbox"/> -	<input type="checkbox"/> - 575 VAC ADAPTER	- NON FUSED ROTARY DISCONNECT
<input type="checkbox"/> -		- REFLECTIVE PHOTOEYE
<input type="checkbox"/> -		- 33" TALL VISION PANEL
<input type="checkbox"/> -		- DIGITAL ENCODER LIMITS
<input type="checkbox"/> -		- AUTO RESET CURTAIN
<input type="checkbox"/> -		- FRONT HOOD



STEEL JAMB MOUNTING



CONCRETE WALL MOUNTING **

TNR INDUSTRIAL DOORS INC.

SHOP DRAWING, MODEL HDF, RIGHT HAND

MECHANICAL OPTIONS	ELECTRICAL OPTIONS	STANDARD SYSTEM INCLUDES	EXT. DETAIL: DIRECT DRIVE OPERATOR	
<input type="checkbox"/> - BLUE CURTAIN	<input type="checkbox"/> - N 4X, WALL MOUNTED CONTROL PANEL	- SPEEDS UP TO 60 IPS OPEN, 30 IPS CLOSE	LIMITATIONS: OW ≤ 16' 0" & OH ≤ 16' 0"	
<input type="checkbox"/> - ORANGE CURTAIN	<input type="checkbox"/> - WIRELESS RECEIVER	- TIMER TO CLOSE (USER SELECT)	DATE DR'N: DEC. 22, 2012	REVISION: A
<input type="checkbox"/> - RED CURTAIN	<input type="checkbox"/> - WIRELESS TRANSMITTER, QTY. _____	- NEMA 4 CONTROL PANEL & OPERATOR	DRAWN BY: NICK MARANDO	DRAWING No.: D-600-0091
<input type="checkbox"/> - VISION PANEL IN P1 (MIN. HEIGHT = 6' 6")	<input type="checkbox"/> - N 4X, PUSHBUTTON ST'N, QTY. _____	- PROGRAMMABLE CONTROLLER	ELECTRICAL CRITERIA: CIRCUIT BOARD & FREQUENCY INVERTER DRIVE	
<input type="checkbox"/> - VISION PANEL IN P2 (MIN. HEIGHT = 9' 6")	<input type="checkbox"/> - MOTION DETECTOR, QTY. _____	- FREQUENCY INVERTER	CONTROL PANEL NEMA/EEMAC 4 STD. OR _____	
<input type="checkbox"/> - VISION PANEL IN P3 (MIN. HEIGHT = 12' 6")	<input type="checkbox"/> - ADD. REFLECTIVE PHOTOEYE, QTY. _____	- WIRELESS AIRWAVE REVERSING EDGE	PRIMARY POWER SUPPLY: 230 / 460 / 575, 1 Phase, 60 Hertz	
<input type="checkbox"/> -	<input type="checkbox"/> - THRU-BEAM PHOTOEYE, IN LIEU OF REFLECTIVE PHOTOEYE, QTY. _____	- 3" HIGH, BLACK EPDM RUBBER LOOP	OPERATOR CRITERIA: DIRECT DRIVE	
<input type="checkbox"/> -	<input type="checkbox"/> - 575 VAC ADAPTER	- NON FUSED ROTARY DISCONNECT	OPERATOR NEMA/EEMAC 4 STD.	
<input type="checkbox"/> -		- REFLECTIVE PHOTOEYE	2 HP, DOOR SPEED: OPEN UP TO @ _____ ips, CLOSE UP TO @ _____ ips	
<input type="checkbox"/> -		- 33" TALL VISION PANEL	END USER:	
<input type="checkbox"/> -		- DIGITAL ENCODER LIMITS	DEALER:	
<input type="checkbox"/> -		- AUTO RESET CURTAIN	DOOR SIZE:	
<input type="checkbox"/> -		- FRONT HOOD	SERIAL No.: TNR-	